

# NT3BB-4PWN-134 (ADSL2 + 4 Port Wi-Fi)

## Quick Installation Guide

### 1. Packing List

The following table lists the items in the product package.

Item	Quantity
ADSL Router	1
Power Adapter	1
RJ 45 Cable	1
RJ 11 Cable	2
Splitter	1
Quick Installation Guide	1

**Note:** If you find anything missing or damaged, contract the service provider.

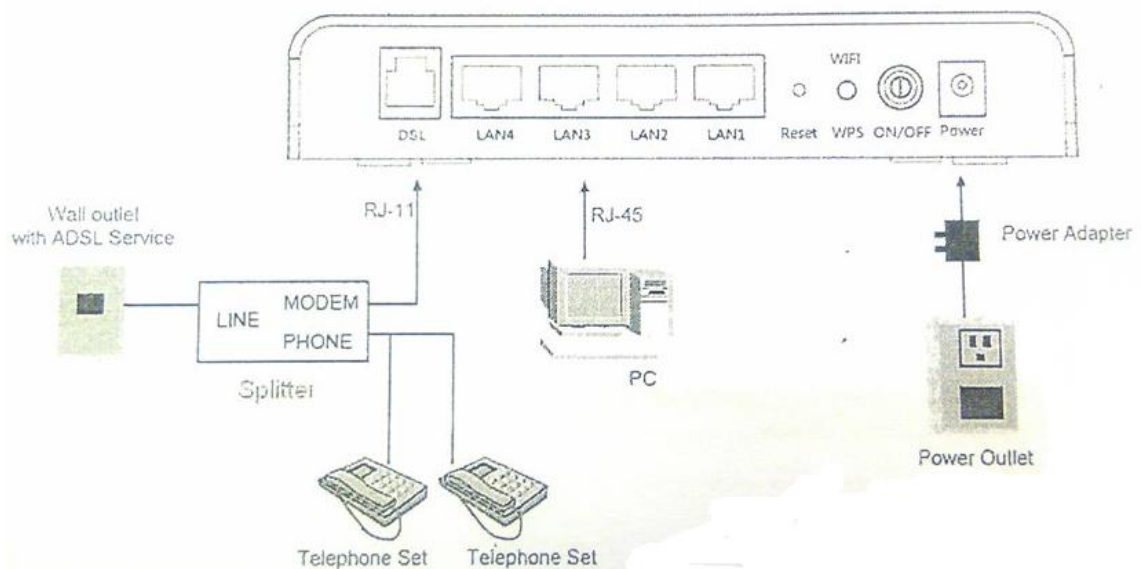
### 2. Hardware Installation

**Step1:** Connect the **DSL** interface of the device and the **Modem** interface of the splitter through a telephone cable. Connect the phone to the **Phone** interface of the splitter through a cable. Connect the incoming line to the **Line** interface of the splitter.


**Step2:** Connect the LAN interface of the device to the network card of the PC through an Ethernet cable (MDI/MDIX).

**Step3:** Plug one end of the power adapter to the wall outlet and connect the other end to the **Power** interface of the device.

**The following is the application diagram for the connection of the router, PC, Splitter and telephones.**



The following table describes the interfaces of the device:

Items	Description
	Power switch for powering on/off the device.
Power	Power interface for connecting to the power adapter.
LAN 1/2/3/4	RJ-45 interface for connecting to the Ethernet interface of PC or other Ethernet devices through the Ethernet cable.
DSL	RJ-11 interface for connecting to the ADSL interface or a splitter through the telephone cable.
WiFi	Press the button gently and let go after 2 seconds to enable WLAN function.
Reset	Reset to the factory defaults. To reset to the factory defaults, keep the device powered on and pus a paper clip in to the hole for over 5 seconds. Then release it, the configuration is reset to the factory defaults.

### 3. Web Configuration

#### 3.1 Configuring IP Address of Network Card

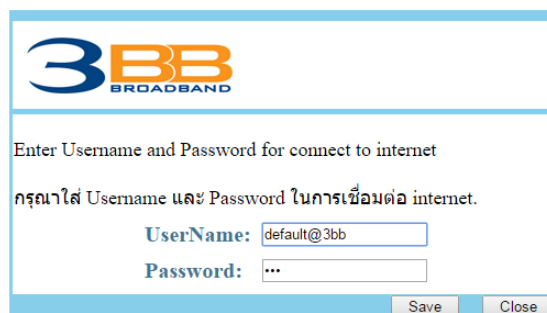
Configure TCP/IP properties of your network card to Obtain an IP address automatically from modem, or set the IP address of the computer with the same network of the modem

#### 3.2 Internet Settings

The following is the detailed description of internet setting for the first time.

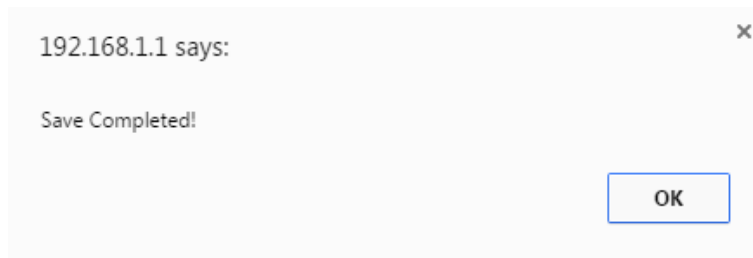
**Step1:** Open the browser and enter http://192.168.1.1/3bb

**Step2:** In the Login page that is displayed, enter the username and password for surf internet.



After finishing, click Save to apply the internet settings.

**Step3:** In the browser page that is displayed click OK to Save.



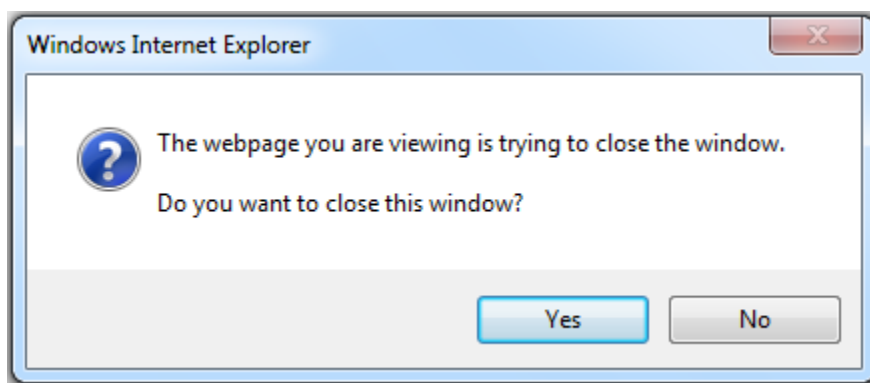
**Step4:** In the Login page click Close to close this page.



ศูนย์บริการลูกค้า  
200 หมู่ 4 ตำบลวัดใหม่ อำเภอเมือง จังหวัดนนทบุรี 11120 โทรศัพท์ 02 100 2100

Call Center  
1530

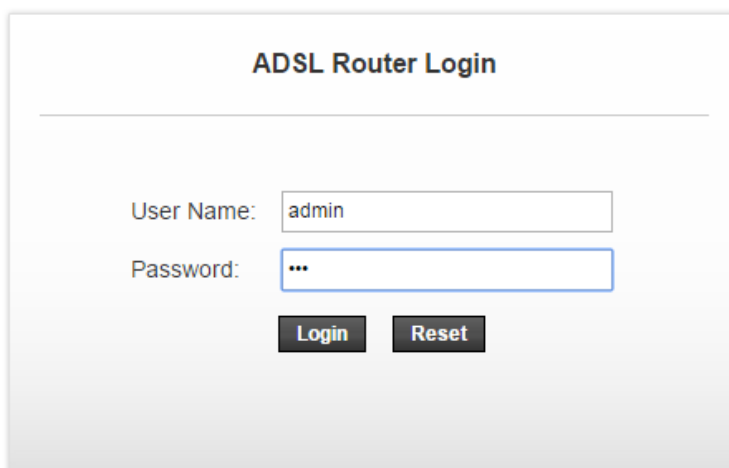
**Step5:** In the browser page that is displayed, click Yes to close this window.



### 3.3 Wireless Settings

**Step 1:** Open the browser and enter http://192.168.1.1

**Step 2:** In the Login page that is displayed, enter the username and password. The username and password of the administrator are admin and 3bb



**After logging in to the DSL router as a super user, you will see the following interface. You can check, configure and modify all the settings.**

**Step3:** Choose Setup > WLAN, In the Wireless Basic Settings, The default SSID is 3bb-wlan. You may modify the SSID (service set identification) that is a unique name to identify the router in the wireless LAN.

The screenshot shows the 'Wireless Basic Settings' page. The navigation tabs at the top are Status, Setup (highlighted), Advanced, Service, Firewall, and Maintenance. On the left, a sidebar menu shows WAN, LAN, and WLAN (highlighted), with sub-options for Basic, Security, Access Control List, Advanced, and WPS. The main content area is titled 'Wireless Basic Settings' and includes a description: 'This page is used to configure the parameters for your wireless network.' The settings are organized into several sections: 1. A checkbox for 'Disable Wireless LAN Interface' is unchecked. 2. 'Band:' is set to '2.4 GHz (B+G+N)'. 3. 'Mode:' is set to 'AP'. 4. 'SSID:' is set to '3bb-wlan'. 5. 'Channel Width:' is set to '40MHZ'. 6. 'Control Sideband:' is set to 'Upper'. 7. 'Country/Area:' is set to 'Thailand'. 8. 'Channel Number:' is set to 'Auto', with 'Current Channel: 1' displayed. 9. 'Radio Power (Percent):' is set to '100%'. 10. 'Associated Clients:' has a 'Show Active Clients' button. At the bottom, there is an 'Apply Changes' button.

**Step 4:** After finishing, click Apply Changes to apply the wireless settings.

**Step 5:** Choose Setup > WLAN > Security, In the Wireless Security Setup, The default Pre-Shared Key is 1111100000. You may modify the Pre-Shared Key that is a security key.

The screenshot shows the 'Wireless Security Setup' page. The navigation tabs at the top are Status, Setup (highlighted), Advanced, Service, Firewall, and Maintenance. On the left, a sidebar menu shows WAN, LAN, and WLAN (highlighted), with sub-options for Basic, Security (highlighted), Access Control List, Advanced, and WPS. The main content area is titled 'Wireless Security Setup' and includes a description: 'This page allows you setup the wireless security. Turn on WEP or WPA by using Encryption Keys could prevent any unauthorized access to your wireless network.' The settings are organized into several sections: 1. 'Encryption:' is set to 'WPA (AES)', with a 'Set WEP Key' button. 2. 'Use 802.1x Authentication' is unchecked. 3. 'WEP 64bits' and 'WEP 128bits' are unselected. 4. 'WPA Authentication Mode:' has 'Enterprise (RADIUS)' unselected and 'Personal (Pre-Shared Key)' selected. 5. 'Pre-Shared Key Format:' is set to 'Passphrase'. 6. 'Pre-Shared Key:' is set to '1111100000'. 7. 'Authentication RADIUS Server:' has 'Port' set to '1812', 'IP address' set to '0.0.0.0', and 'Password' is empty. At the bottom, there is an 'Apply Changes' button. A note at the bottom reads: 'Note: When encryption WEP is selected, you must set WEP key value.'

**Step 6:** After finishing, click Apply Changes to apply the wireless settings.